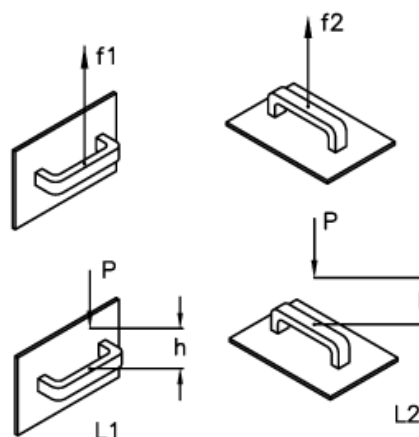
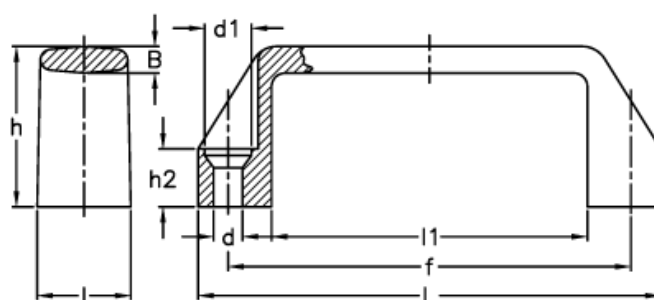


# Data Sheet



Article number: 2304037236  
Description: E+G Handle  
M.443/200-SH

## Measures



$$L[J]=P[N]\cdot h[m]$$

B	= 8	l	= 28
d	= 6.5	L	= 197
d1	= 12	l1	= 153
f	= 179 +/- 1	L1 (J)	= 22
F1 (N)	= 2500	L2 (J)	= 15
F2 (N)	= 2400		
h	= 50		
h2	= 17		